

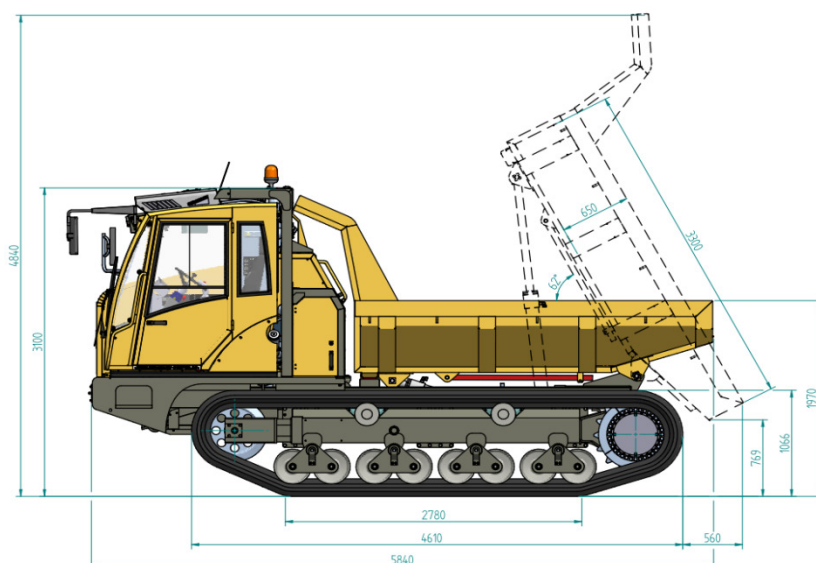
Bergmann dumper on tracks

4010 rear tip



Strong arguments

- ▶ high stability thanks to low center of gravity
- ▶ comfortable cab
- ▶ inside oil bath multi disc brake
- ▶ low ground pressure
- ▶ high traction





Bergmann dumper on tracks

4010 rear tip

Technical Data

Weight / Capacity	payload	10.000 kg
	Dead weight	14.000 kg
	Capacity struck	2.000 l
	Capacity heaped	6,5 m ³
	Bucket	Hydraulic rear tip
Dimensions	Cabin height	3.100 mm
	Total length	5.840 mm
	Total width	2.900 mm
	Ground clearance	610 mm
Transmission	Hydrostatic drive with planetary transmission	
Speed	Working speed: 0~5 km/h	gTransport speed: 0~16 Km/h
Steering	Steering wheel or joystick	
Brake System	Inside oilbath multi disc brake	
Engine	Water cooled 6-cylindre Cummins Diesel engine QSB 6.7 power 180 KW/ 244 PS 2.300 U/min.	
Width of Tracks	750 mm	
Ground Pressure	0,46 kg/cm ²	
Engine Bonnet	Fast and easy accessibility to all service points thanks to engine bonnet in 2 pieces	
Quantity	fuel 225 L hydraulic oil 180 L	
Electric system	24V electric system with mainswitch, error detection mode, fuel and hour counter, control lamps for engine oil, park brake, direction indicator, battery charge control, hydraulic filter, display for drive position	
Standard equipment	Comfortable cab with air suspension driver's seat, , road traffic lighting system, bucket from wear-resistant fine-grain-steel, beacon light, cigarette lighter, sun roller blind for windscreen, device for radio, loudspeaker and antenna, CE certificate Manual and spare parts list	