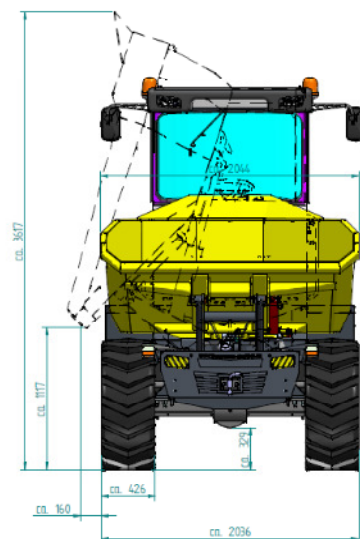
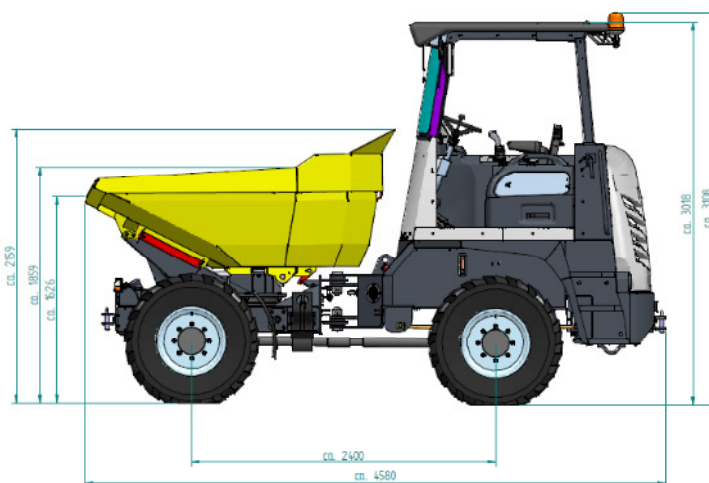


Bergmann Dumper 2060 plus swivel tip



Strong arguments for your advantage

- ▶ high stability thanks to oscillating rear axle
- ▶ instrument board lowerable and lockable
- ▶ lowerable ROPS/FOPS roof
- ▶ retrofitting of cab possible
- ▶ hydraulic park brake
- ▶ type test approval by TBG





Bergmann Dumper 2060 plus swivel tip

Technical Data

| | | |
|---------------------------|----------------------------------------------------------------------------------------------------------------------------------------------------------------------------------------------------------------------------------------------------------------------------------------------------------------------------|--------------------|
| Weight / Capacity | Payload | 6.000 kg |
| | Dead weight | 4.045 kg |
| | Capacity struck | 2.450 L |
| | Capacity heaped | 3,6 m ³ |
| | Bucket System swivel tip | |
| Dimensions | Height with ROPS | 3.020 mm |
| | Height without ROPS | 2.550 mm |
| | Total length | 4.580 mm |
| | Total width | 2.040 mm |
| | Ground clearance | 330 mm |
| Transmission | Hydrostatic 4 wheel drive with automotive control | |
| | speed I: | 0-14 km/h |
| | speed II: | 0-30 km/h |
| Lenkung | Hydraulic articulated steering acting over priority flow Steering angel: 40° left and right | |
| Steering/brakes | Front axle rigid, suspended rear axle, maintenance-free-oil-bath multi-disc brake with automatic adjustment in the front axle, hydraulically applied locking brake acting over articulated shaft on front and rear axle. | |
| Engine | 4-Zylinder Cummins Diesel engine –water cooled- power 63,0 KW/ 86,0 HP 2.600 tn/min. emission stage EUR IIIB / Tier 4 | |
| Tyres | standard, all tires 405/70 R20 AS Profile | |
| Tank capacity | fuel 65 L | |
| | hydraulic oil 45 L | |
| Electrics | 12V electrical installation with main switch, control panel for engine water temperature, fuel and service hour meter, control lamps for motor oil; park brake, direction indicator, battery charging control, hydraulic filter, display for drive position | |
| Standard equipment | Hydro sprung seat adjustable and collapsible, instrument panel lowerable and lockable with ignition key, tow-bar coupling, lighting system according to German traffic regulations, bucket from abrasion-proof fine-grain steel, EC type test approval, EC declaration of conformity, operator's manual / spare parts list | |